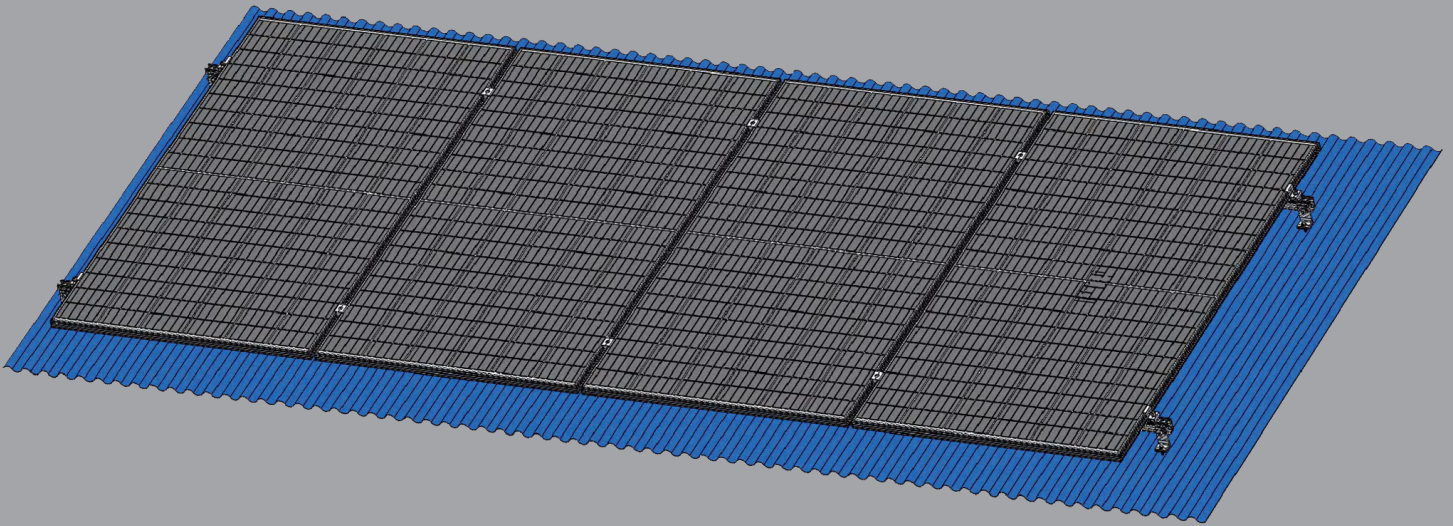




## SOLAR MOUNTING SYSTEMS



# Uranus Installation Manual

(Metal Roof Tilt Solution)

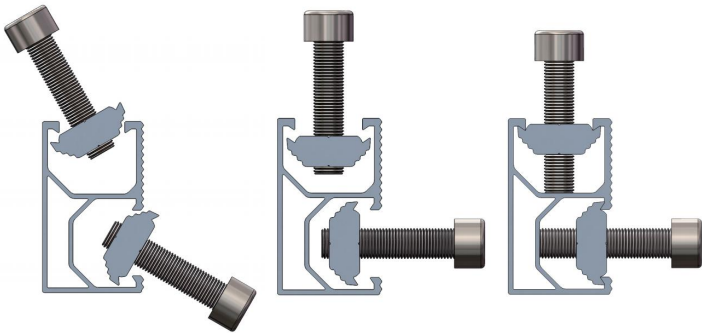
# CONTENTS

<b>General Introduction.....</b>	<b>01</b>
<b>Technical Specifications.....</b>	<b>02</b>
<b>Safety and Installer Responsibilities.....</b>	<b>03</b>
<b>Components List.....</b>	<b>04</b>
<b>Before Installing.....</b>	<b>05</b>
<b>Installation Planning.....</b>	<b>06</b>
<b>Determining Wind Region.....</b>	<b>07</b>
<b>Planning the Module Area.....</b>	<b>08</b>
<b>Determine the Height of The Installation Site.....</b>	<b>09</b>
<b>Installation Instruction.....</b>	<b>10</b>
<b>Warranty.....</b>	<b>14</b>
<b>Maintenance and Cleaning.....</b>	<b>17</b>
<b>References.....</b>	<b>17</b>
<b>Contact Details.....</b>	<b>17</b>
<b>Appendixes.....</b>	<b>17</b>

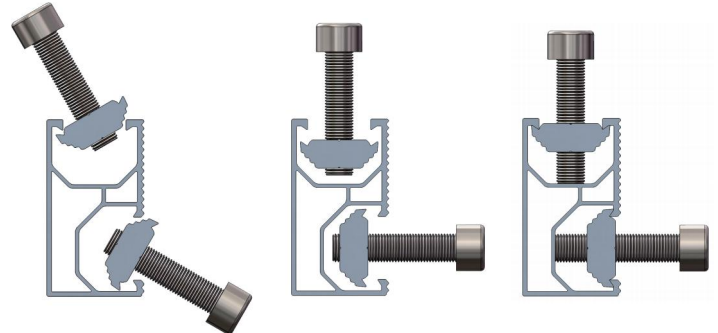
# GENERAL INTRODUCTION

Uranus Roof Mounted solutions, accommodating a wide range of modules, are suitable for most types of roofs. With innovative Uranus Rail and T module, Uranus Roof Mount enables significantly faster, easier installations, which have been developed into one of the most versatile mounting solutions in the world, delivering time and cost effective experience to solar system installers.

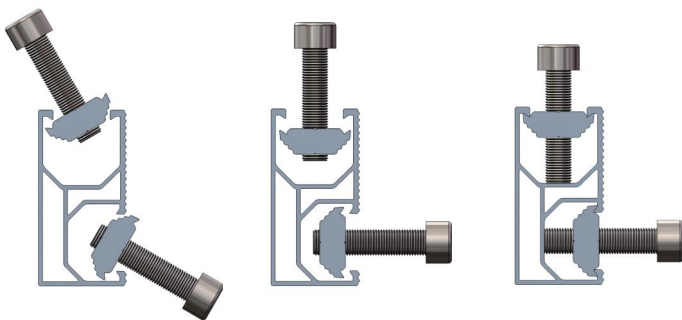
## Rail I



## Rail II



## Rail III



Uranus features series of highly engineered new innovative product, designed with experienced engineers to the speed of installation.

Uranus pitched roof solar mounting system is backed by a 10-year warranty and is compliant with AS/NZS1170.2.2011 Amdt 3 – 2012

## Benefits of Uranus Pitched Roof Mounting System



- Easy Installation
- Diversified Application
- High Accuracy
- Choice Quality
- Engineered to highest standards
- Maximum Lifespan
- Guaranteed durability

# TECHNICAL SPECIFICATIONS

## Applications

- Commercial and residential buildings
- Marine applications and remote areas

## Features

- Anodized 6005-T6 aluminum extrusion.
- Innovated designed of the Tilt-in modules, which can be pre-assembly with the clamp, make the installation easy and quick.
- Suitable for difference conditions and the most solar panels at present market.
- Significantly higher strength-to-weight ratio than other framing products, providing improved efficiency due to greater frame spans, inherent corrosion resistance resulting in low ongoing maintenance and an extended product life.
- Complies with Australian/New Zealand Standard on Wind Actions, AS/NZS1170.2.2011 Amdt 3 – 2012.
- 10 years limited warranty backed up by Jiangsu Uranus Solar Technology Co.,Ltd.

## Material

Material	Tensile strength	
	Ultimate	Yield
6005 T6 aluminum extruded	260Mpa	240Mpa
Stainless steel 304	625.55Mpa	263.8Mpa
Stainless steel A2-70	700MPa	450MPa

## Installation condition

Roof slope	Up to 60°
Building height	Up to 20m
Mounting structure	Timber / steel
Roof types	Tile/Tin/Klip-Lok® roof
System angle	Flush with roof

\*Note: If the condition is beyond the table list, please contact us for confirmation.

# SAFETY AND INSTALLER RESPONSIBILITIES

## Handling and Installing Uranus

It is critically important that safety practices are observed when installing

- Do not throw or roughly handle any Uranus components.
- Do not bring Uranus system into contact with sharp or heavy objects.
- Do not modify Uranus components in any way. The exchange of bolts, drilling of holes, bending or any other physical changes not described in standard installation procedure will void the warranty.
- It is the installer's responsibility to verify the integrity of the structure to which Uranus components is fixed. Roofs or structures with rotten/rusted bearers, undersized bearers, excessively spaced bearers, or any other unsuitable substructure cannot be used with Uranus components, and installation on such structures will void the warranty, and could result in death or serious injury.

## Wind and Climate Design

AS/NZS1170.2.2011 provides guidance on determining the wind pressures applicable to your Uranus system install site, taking into account roof shape and geographic location. Sufficient guidance is given in this document, but you may wish to procure a copy of these standards if your company installs Australia/New Zealand wide.

- Remember average wind speeds are higher for structures mounted closer to the roof perimeter zone (edge). Refer to 'Fixing within Roof Installation Zone' for more information.
- Make sure your installation complies with local and national building codes. Take into account relevant design parameters (wind speed, exposure and topographic factor) when determining the loading for the installation.
- If alternative fasteners are used to fix the framing to the roof (assuming supplied fasteners are unsuitable for any reason), all screw fasteners must conform to corrosion resistance Class 4 Australian Standard AS3566 and be of equal or greater strength to those supplied with your Uranus system order.

### CAUTION:

Installation of this product is to be performed only by professionally trained installers. Any attempt by an unqualified person to install this product could result in death or serious injury.

# COMPONENTS LIST

## Overview of system components

Part name	Picture	Part name	Picture
Rail I		Rail II	
Rail III		Splice for rail I & II & III (Joiner)	
Inter Clamp (with T-module)		T-module	
L Bracket (L Foot)		End Clamp (with T-module)	
Kliplok 700 Clamp		Hexagon socket bolt M8*16/25/30/35 /43/48	
Kliplok 406 Clamp			

\* Note: The quantity of requested components depends on the system you ordered.





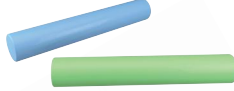




# BEFORE INSTALLING

## Receipt of goods

Check that the URANUS equipment is undamaged and that the order is complete.  
Check for correct quantities of the items.

## Tools required for installation

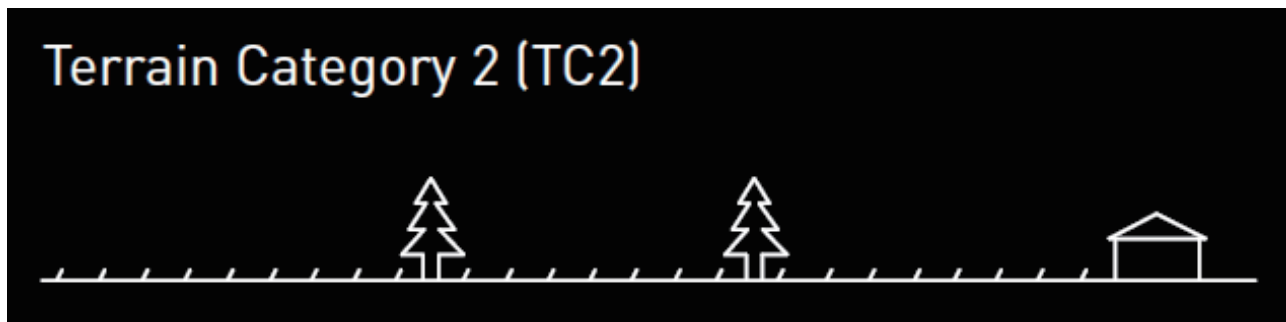
<p>6 mm Allen key or hexagonal driver bit. If using a 6mm driver bit, make sure the cordless power tool used for the driving has a hand-tight clutch setting a fine (soft) impact drive to prevent damage to the fragile glass panels and threads on the structure.</p>	
<p>Cordless drill. Drill or impact driver for driving roof material fixings.</p>	
<p>Angle grinder. For terracotta tile roof installation, and angle grinder fitted with a continuous edge diamond tipped tile cutting blade; gloves, hearing protection, a face protection mask, and a suitably rated breathing protection mask for all people in proximity of grinding.</p>	
<p>Gloves. Protect the hazard of the sharp corners.</p>	
<p>Cord or color pen. Mark the installation position.</p>	
<p>Spirit level.</p>	
<p>Measuring tape.</p>	

\*If necessary, timber to shim the roof hook

## Determining wind terrain category

### Terrain Category 2

Open terrain, including grassland with well scattered obstructions having heights generally from 1.5 meters to 5 meters. Examples include farmland or cleared sub-divisions with isolated trees and uncut grass.



### Terrain Category 3

Terrain with numerous closely spaced obstructions having heights generally from 3 meters to 10 meters. Examples include typical suburban housing or light industrial areas.





# DETERMINING WIND REGION

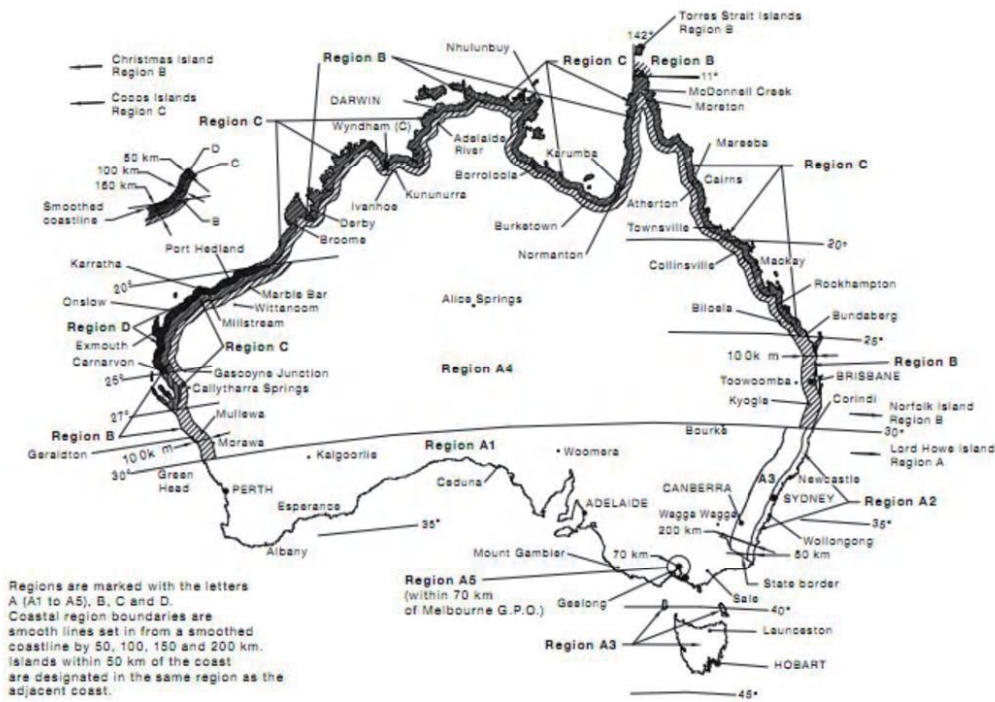


FIGURE 3.1(A) WIND REGIONS

Figure: National wind map (in accordance with AS/NZS 1170.2:2011/Amdt 3:2012)

Wind regions are pre-defined for all of Australia by Australian Standard AS/NZS 1170. The Wind Region has nothing to do with surrounding topography or buildings.

Wind Zone	A	B	C	D
Wind Speed (m/s)	41	48	69	88

## Included towns:

### Region A:

Callytharra Springs, Gascoyne Junction, Green Head, Kununurra, Lord Howe, Island, Morawa, Toowoomba, Wittanoom, Bourke

### Region B:

Adelaide River, Atherton, Biloela, Brisbane, Christmas Island, Collinsville, Corindi, Geraldton, Ivanhoe, Kyogle, Marble Bar, Mullewa, Norfolk Island, Torres Strait Islands, Wyndham

### Region C:

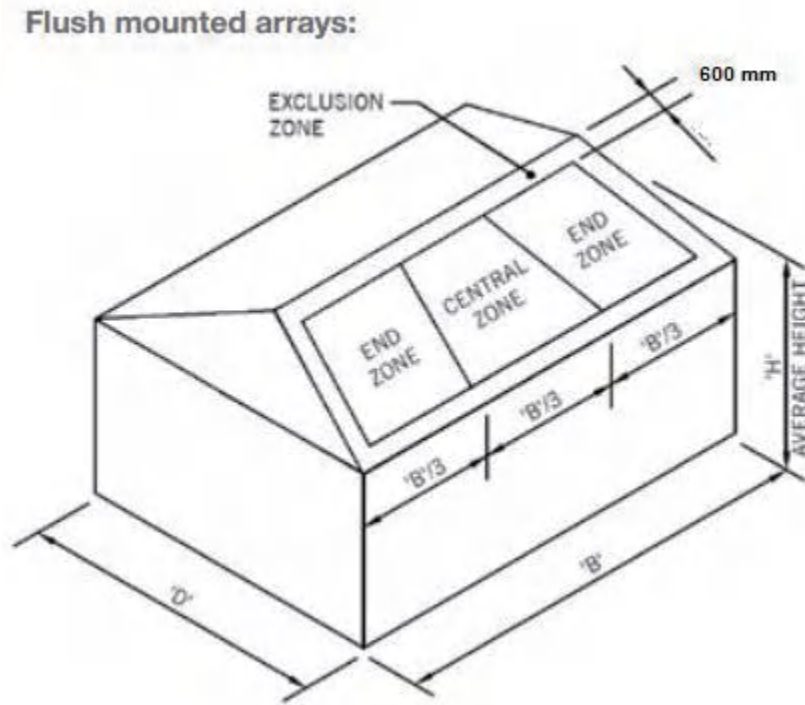
Borroloola, Broome, Bundaberg, Burketown, Cairns, Cocos Islands, Darwin, Derby, Karumba, Mackay, Mareeba, Millstream, Moreton, Nhulunbuy, Normanton, Rockhampton, Townsville

### Region D:

Carnarvon, Exmouth, Karratha, Onslow, Port Hedland

# PLANNING THE MODULE AREA

Solar panels can be installed anywhere on the roof, as long as sufficient fixings are used. Higher wind speeds are encountered at the edges of roofs and therefore more fixings are required in these areas. For a flush mounted array, a roof can be divided into two zones, the central zone and the end zone. The width of these zones can be determined based on the length of the building.



Determining the width of the central and end zones, 'B/3'. The width of the central and end zones is determined by calculating the roof length and dividing this result by 3. An exclusion zone of 600 mm must be made on the edges of the roof.

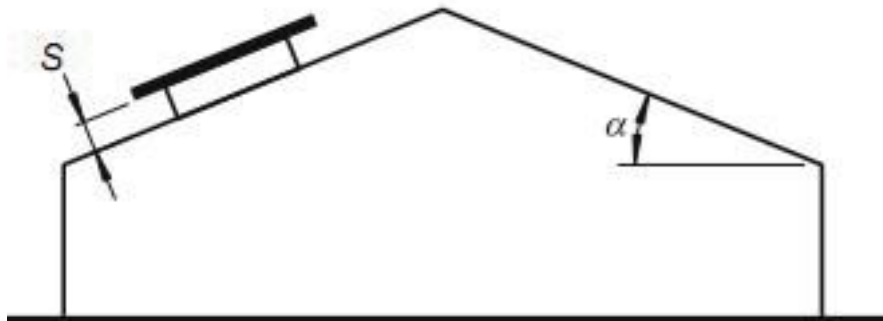


Figure: Panel must be installed flat to the roof.

# DETERMINE THE HEIGHT OF THE INSTALLATION SITE

This document provides sufficient information for Uranus system installation height less than 20 meters. If your installation site is more than 20 meters in height, please contact Uranus to obtain engineering data to support your installation.

## Verify acceptable rail end overhang

Rail end overhang must equal 50 percent or less of foot spacing. Thus, if foot spacing is 1200mm, the Rail end overhang can be up to 600mm. In this case, two feet can support a rail of as much as 2400mm (1200mm between the feet and 600mm of overhang at each end).

## Determine roof slope

Uranus mounting system can be used for roof slope up to 60 degrees. This document provides sufficient information for below 30 degrees, please contact Uranus for between 30 and 60 degrees.

## Determine the maximum rail support spacing

Please use the table in certification of compliance to determine the Uranus Rail support spacing for installations. Certification of compliance please request from dealer or contact Uranus. Below only for reference.

<b>Solar Array Interface spacing Table for Tin Roof</b>								
Type of Rail		Rail II						
Type of Interface		ATL-FWNY-05						
Solar Panel Dimension		2mx1m						
Terrain category		3						
Roof Angle ( $\Phi$ ) -		$\Phi < 5^\circ$						
Wind Region	Building Height - H (m)							
	H $\leq$ 10		10<H $\leq$ 15		15<H $\leq$ 20			
	D.W & U.W	Central		D.W & U.W	Central		D.W & U.W	Central
A	1684	1780		1446	1680		1284	1586
B	1196	1475		1031	1268		918	1128
C	332	406		287	351		257	314
D	208	254		181	220		162	197
Roof Angle ( $\Phi$ ) -		$5^\circ \leq \Phi \leq 30$						
Wind Region	Building Height - H (m)							
	H $\leq$ 10		10<H $\leq$ 15		15<H $\leq$ 20			
	D.W & U.W	Central		D.W & U.W	Central		D.W & U.W	Central
A	1684	1820		1446	1790		1284	1750
B	1196	1620		1031	1423		918	1331
C	332	477		287	412		257	368
D	208	297		181	258		162	230

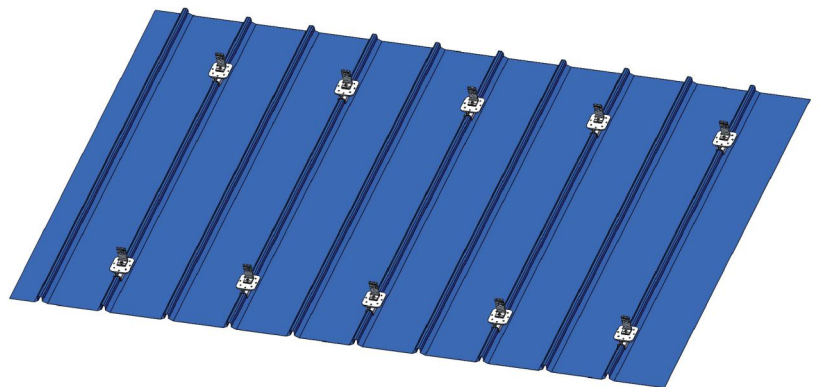
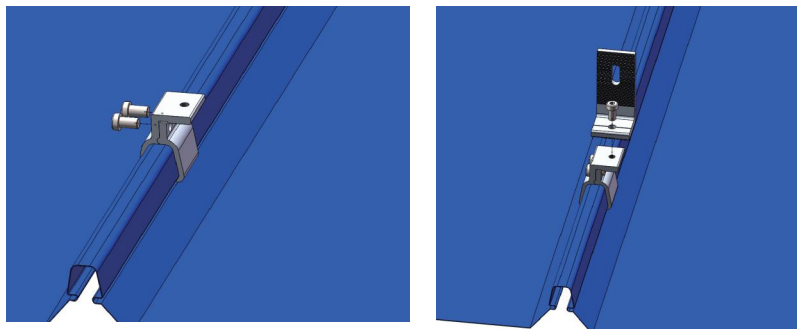
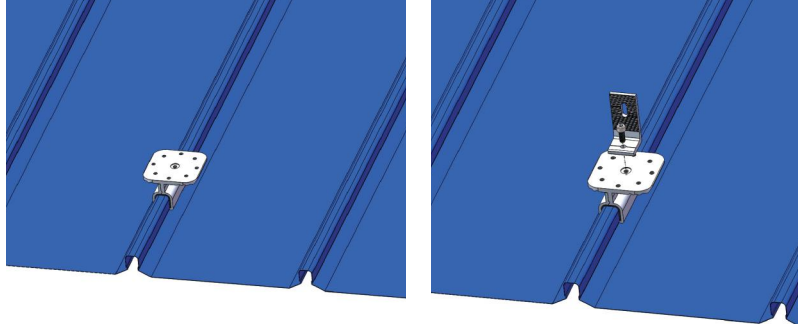
**Note: The above spaces are based on 1.5mm purlin only**

# INSTALLATION INSTRUCTION

## Installation of Kliplok Clamps on Metal Roof

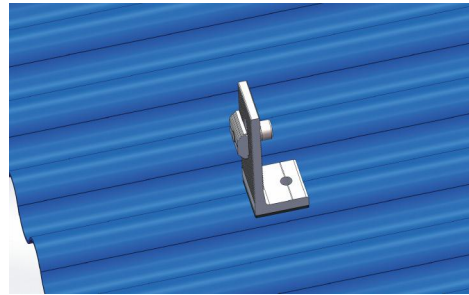
Use our Kliplok Clamp to clip the metal roof tightly, and place L-Bracket on Kliplok Clamp and connect them by tightening M8\*20 Bolt.

Note: If Kliplok Clamps are being used then fixing centres are subject to those outlined installation manual for Kliplok 406 & Kliplok 700.



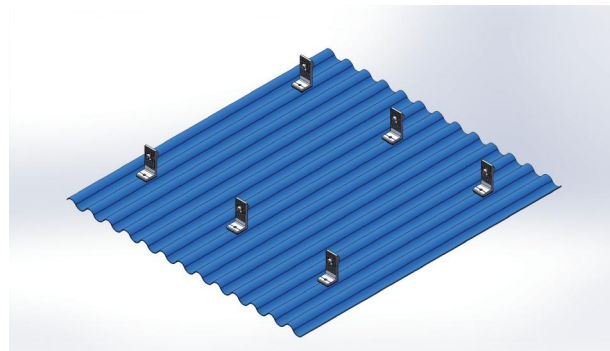
## Installation of L-bracket on Metal Roof

1. Determine the positions of the L-bracket according to your plans.

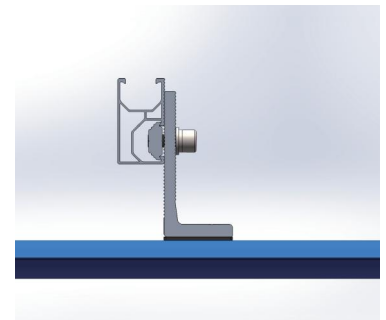
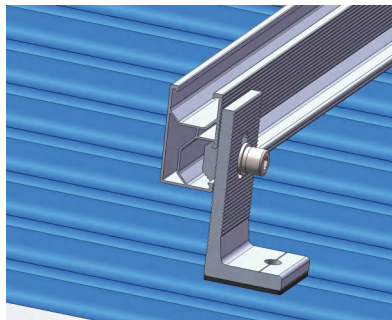


2. Fix the L bracket (together with Rubber Pad) to the rafter using SUS 410 Screw, fix other L brackets to the rafter according to your plans.

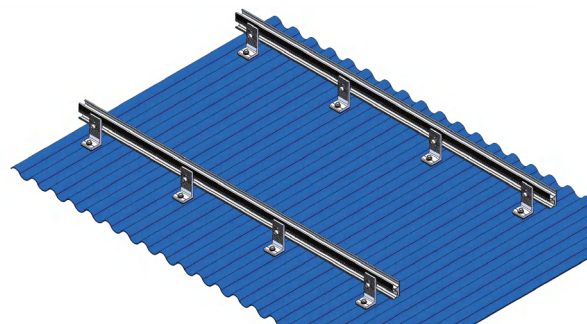
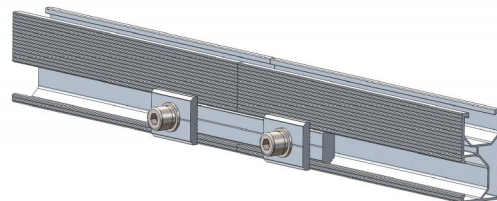
Note: The rubber pad plays the role of waterproof.



3. Connect the L bracket with rail I or II or III by T-module and tighten the bolt.

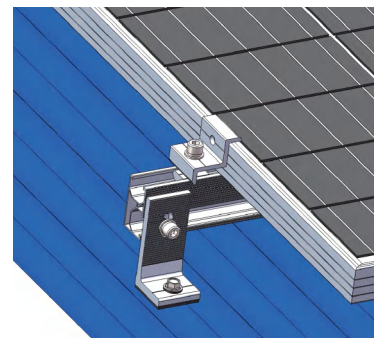
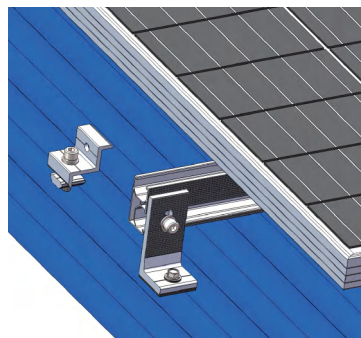
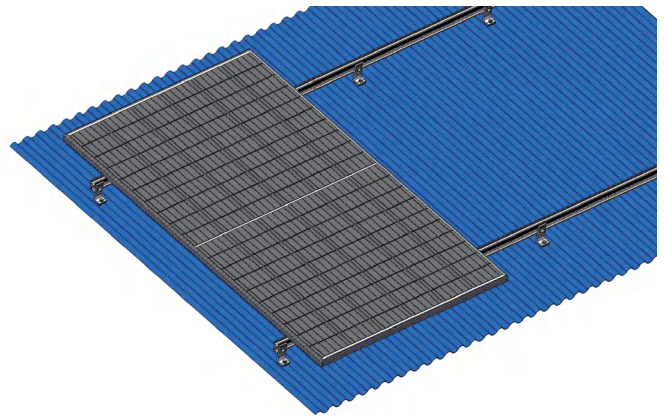


4. If you need, to connect multiple rails together, slide the splices on the rear side of the pre-assembled rails halfway to the side. Fasten the first M8 bolt firmly using the Allen key. Now slide the next rail segment into the splice. Tighten the second M8 bolt. The connection is finished.

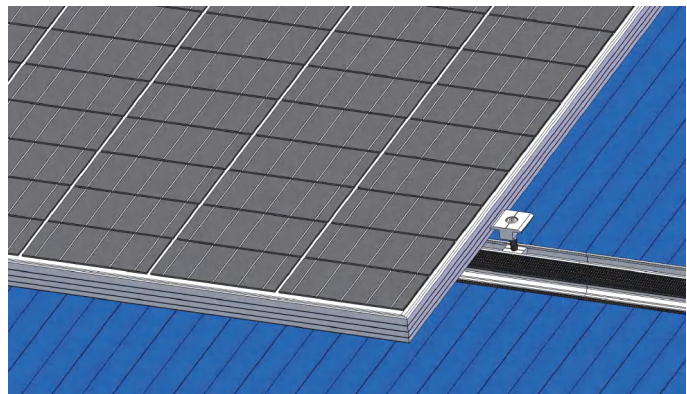




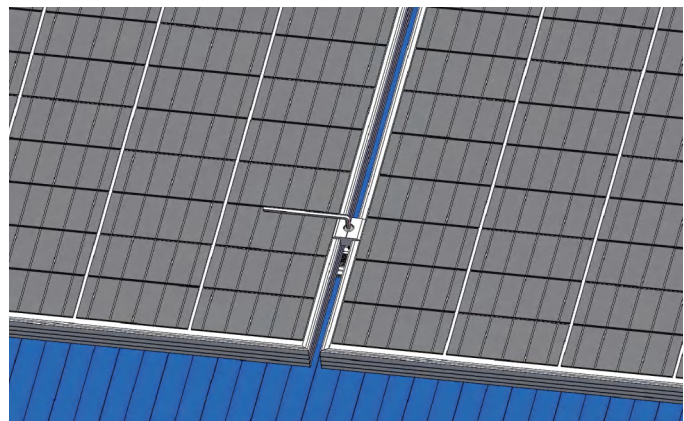
5. Place the solar module on the rails, slide the end clamp tightly against the solar module and fasten tightly using the Allen bolt (recommended torque is 8 Nm).



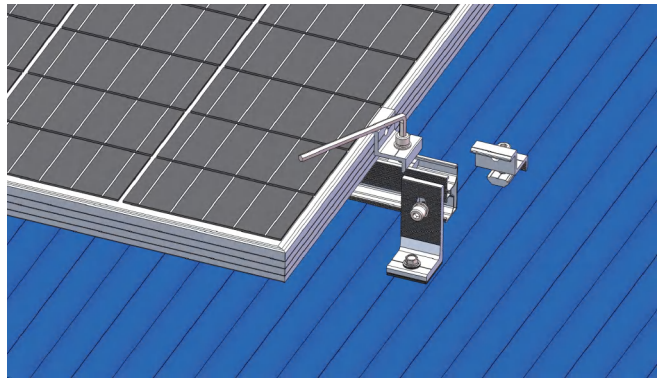
6. Slide the pre-assembled inter-module clamp into the rails from above, place it firmly against the module and fasten loosely (approx. 2-3 turns).



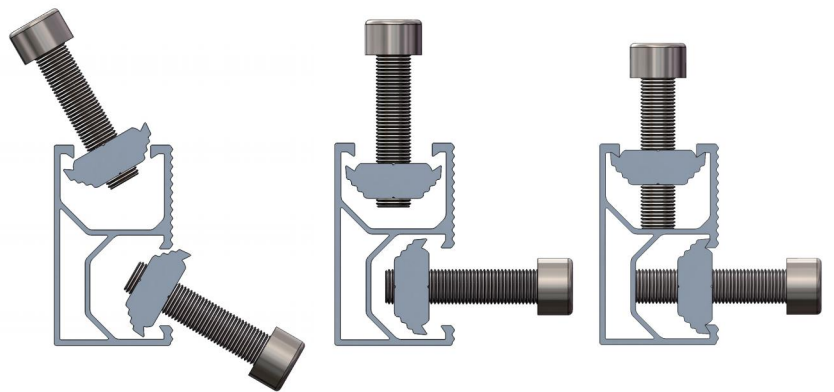
7. Now slide the next module against the previously installed module and tighten the inter-module clamp using the Allen key, Take care that the anti-slips protection sits in the rail channel of the lowest row of rails.



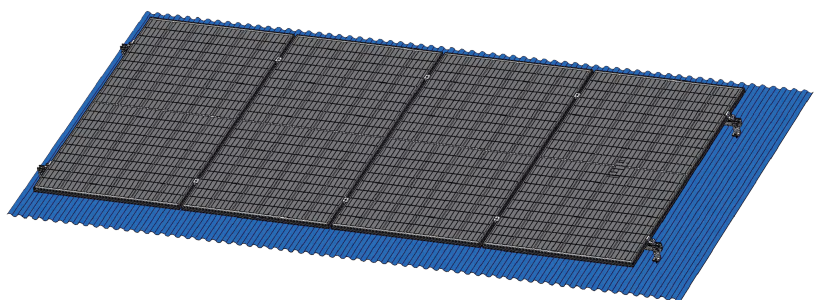
8. Place the last module in the row on the rails (with the first row of modules, take care that the anti-slip protection sits properly in the rail channel) and fasten the last inter module clamp and the module end clamp using the Allen Key (recommended torque is 8 Nm).



9. For each use of the T module. You must make sure that: the thread of the screws does not project through the lower side of the T module (max flush). Position the T module in the rail channel and fasten it loosely with 2 to 3 turns of the screw. The screws can still be freely moved in the rail channel. Slide the screw to their final position in connection with the inter-module clamp, module end clamp or roof hooks/hanger bolts and fastens firmly.

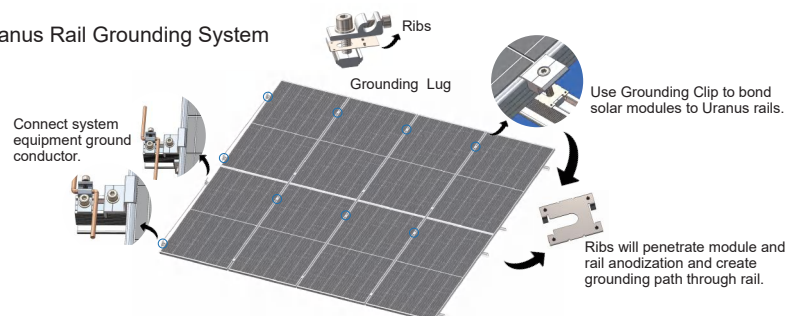


10. Now first row of modules are installed, continue to mounting next row of modules according to steps 3 to 6.



11. Uranus rail grounding system.

#### Uranus Rail Grounding System





# WARRANTY

In so far as Jiangsu Uranus Solar Technology Co.,Ltd. grants the customer a 10 year warranty to solar mounting systems, except for the anodized finish, which finish shall be free from visible peeling, or cracking or chalking under normal atmospheric conditions for a period of five (5) years. The Warranty Start Date is the date of delivery of the Product(s) to the Buyer or 2 months after the date of Product(s) dispatch from Uranus manufacturing site, whichever date is earlier.

## Warranted Products

All anodized aluminum products and stainless steel 304 components in the solar mounting systems.

## Exclusions and Limitations

In the event that damage is caused to a purchased item, despite proper installation and handling and in the context of normal use and maintenance, Uranus will immediately exchange the respective component within the warranty period. The following terms shall apply:

- 1 Failure to comply with Uranus' installation manual;
- 2 Service by service technicians who are not qualified under the relevant law and/or applicable regulations at the place of installation;
- 3 The warranty period for each component defined in the respective product sheet by Uranus shall apply. The warranty period commences with the transfer of risk of the respective component; if, for particular components, generally or for a particular type of use a possible shorter life is expressly indicated within Uranus' individually-generated plans, an exchange is scheduled within a shorter period, the warranty period shall be restricted to such life or period.
- 4 The warranty is limited to additional delivery for the defective components upon notification of the damage within the warranty period. Any statutory guarantee or liability claims shall remain unaffected.
- 5 The obligation to fulfill the warranty shall not apply if the damage has arisen in connection with exceptional stress (e.g. storm damage, impact of instability of the sub-surface, particular chemical or biological effects). Or in such conditions, accident, force of nature (such as lightning strike, earthquake), influence from chemical products or other acts beyond Uranus' reasonable control (including damage by fire, flood, etc.)
- 6 With regard to installation and handling, the technical product descriptions and installation instructions regarding the respective products as supplied by us shall apply, as shall the statutory and generally-recognized standards and principles of building and construction work in local market as well as, as appropriate, on a priority basis, the plans, statics and instructions prepared by us individually for the customer.
- 7 No claims shall exist if the damage is covered or can usually be covered by insurance against storm and similar events (natural-peril insurance).
- 8 This warranty shall only be applied to solar mounting systems designed by Uranus. Custom design products if suggestions by Uranus are declined, this product is excluded in this warranty.
- 9 This warranty shall only establish claims of Uranus' customer, via which all warranty claims are to be settled. Assertion by third parties shall only be possible if Uranus agrees thereto.
- 10 Limited Warranty does not apply to any Products which have been subjected to use of the Products in such a manner as to infringe Uranus' or any third party's intellectual property rights (e.g. patents, trademarks).

## Repair, Replacement or Refund Remedy

- 1 As Buyer's sole and exclusive remedy under this Limited Warranty (though Buyers should note paragraph 4 below regarding the potential existence of other statutory rights), Uranus will, in its sole discretion, either, with regard to the applicable Product (or component thereof in the case of Mounting Product):
  - a) refund the historical purchase price of the relevant Product(s); or
  - b) repair the defective Product(s) at no charge (subject to the following paragraph); or
  - c) replace the defective Product(s) or part thereof by a new or remanufactured equivalent at no charge (subject of the following paragraph).

In the event that Uranus opts for options b) or c), Uranus shall bear all insurance and transportation charges (except air freight, courier freight), customs clearance and any other costs for returning the defective Product(s) to Uranus and shipping the repaired or replaced Product(s) to Buyer (a Buyer may claim reimbursement by Uranus for these charges by contacting Uranus and providing proof to Uranus that these charges were incurred, e.g. an invoice from the relevant service provider). The costs and expenses for their removal, installation or reinstallation shall remain with Buyer.

- 2 The warranty period(s) shall not extend or renew upon the repair or replacement of a defective Product by Uranus. The warranty period for replaced or repaired Product(s) is the remainder of the warranty on the original new Product(s).
- 3 All other claims under this Limited Warranty against Uranus shall be excluded. Under this Limited Warranty, Uranus is not responsible for any special, incidental or consequential damages (including loss of profits, harm to goodwill or business reputation, or delay damages) whether such claims are based in contract, warranty, negligence or strict tort. This exclusion applies to the extent permissible by law, and even if the remedies set forth below herein are deemed to have failed of their essential purpose.

## Rights and Remedies against Third Parties

This Limited Warranty shall be construed as a separate warranty and independent from any other contractual arrangement with third parties relating to the Product(s). It shall not affect any rights, obligations and remedies of the Buyer, if any, with regard to third parties for defects or non-conformity or non-compliance of the Products, notwithstanding its legal basis. The rights and remedies provided hereunder are in addition to any other rights and remedies against third parties to which Buyer may be entitled by agreements with such third parties or by law.

## Claims Procedure, Notice Periods, Expiration of Warranty Claims and Limitations

- 1** Buyer shall notify Uranus immediately after discovery of any claim under this Limited Warranty by letter, facsimile or e-mail specifying each alleged claim including evidence of the claims and the serial numbers of the Product(s) at issue.
- 2** Any claim for breach of this Limited Warranty must be brought within three (1) months after discovery of the breach.
- 3** The return of any defective Product(s) will not be accepted unless prior written authorization has been given by Uranus.

## Force Majeure

Uranus shall not be responsible or liable in any way to the Buyer for any non-performance or delay in performance under this Limited Warranty due to occurrences of force majeure such as, war, riots, strikes, unavailability of suitable and sufficient labor, material, or capacity or technical or yield failures and any unforeseen event beyond its control, including, without limitation, any technological or physical event or condition which is not reasonably known or understood at the time of the sale of the defective Product(s) or the notification of the relevant warranty claim under this Limited Warranty.

## Warranty Assignment

This Limited Warranty is only applied when the Products remain installed in their original installation location.

## Validity

This Limited Warranty shall apply to Product(s) manufactured after 1st January 2020. This Limited Warranty shall be valid until a new revision is issued by Uranus.

## No other Warranty

Unless modified in a writing signed by an officer of Uranus, the Limited Warranty set forth herein is the only express warranty (whether written or oral) by Uranus applicable to the Products and no one is authorized to restrict, expand or otherwise modify this Limited Warranty.

## Miscellaneous

If any provision of this Limited Warranty is held invalid, unenforceable or contrary to law then the validity of the remaining provisions of this Limited Warranty shall remain in full force and effect.

## **MAINTENANCE AND CLEANING**

6005-T6 anodized aluminium is largely maintenance free. Only in highly polluted or marine conditions is rinsing with clean water required, during scheduled panel cleaning.

## **REFERENCES**

AS/NZS 1170.2:2011/Amdt 3:2012 on wind actions  
AS/NZS 1664.1:1997 on aluminium structures  
AS 1720.1:2012 on timber structures  
AS/NZS 4600:2005 on cold-formed steel structures  
AS 3566-2011, self-drilling screws for the building and construction industries.

## **CONTACT DETAILS**

Jiangsu Uranus Solar Technology Co., Ltd  
Address: Xi Xiang Village, Hengshan Town, Changzhou Economic Development Zone, Jiangsu Province  
Tel: 0519-88668996

## **APPENDIXES**

ARRAY FRAME ENGINEERING CERTIFICATES  
Installation of flush mounted solar array frame on Metal Roof  
Installation of flush mounted solar array frame on Metal Roof with Kliplok 700 and Kliplok 406 Roof Clamps

These Engineering Certificates contain important installation requirements. Please obtain these certification from your distributor.